

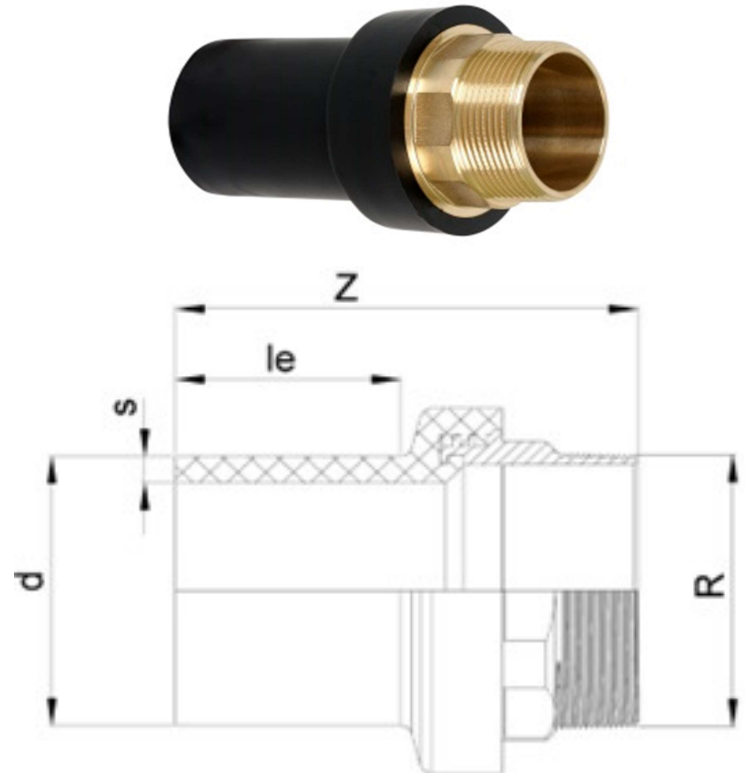
TRANSITION ADAPTOR PE-BRASS

03 Update - 06/2023

TECHNICAL DATA

Article No	001 117 6205 0063
d (mm)	63
R (inch)	2"
le (mm)	67
Z (mm)	125
s (mm)	5,8
Weight (Kg)	0,560
Box Quantity (pcs)	10
Box Dimension (pcs)	31x24x16,5

INJECTION MOULDED



IDENTIFICATION OF PRODUCT

D	63x2"
PN	16
RAW METARIAL	PE 100
PRESSURE CLASS	16 Bar Water 10 Bar Gas
TRADEMARK	NTG
EXECUTION	Injection Moulded
STANDARD	DVGW G5600-1 DVGW GW 335 12201-3

SPECIFICATION

Long Spigot

Tolerance on diameters and thickness according to the standards. The other dimensions are specialized. Tolerance $\pm 5\%$. NTG PLASTIK reserves all the right to change any information without giving prior notice. The production, distribution and utilization of this document without explicit authorization is prohibited.