

# TECHNICAL DATASHEET



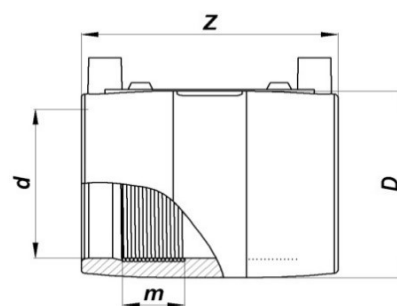
## EF COUPLER

04 Update - 04/2024

### TECHNICAL DATA

Article No	001 117 2160 0125
d (mm)	125
D (mm)	155
Z (mm)	154
m (mm)	36,75
Weight (Kg)	0,890
Box Quantity (pcs)	15
Box Dimension (cm)	55x40x37,5

### INJECTION MOULDED



### IDENTIFICATION OF PRODUCT

D(mm)	125
SDR	11
RAW MATERIAL	PE 100
PRESSURE CLASS	16 Bar Water 10 Bar Gas
TRADEMARK	NTG
EXECUTION	Injection Moulded
STANDARD	EN 12201-3 EN 1555-3 AS / NZS 4129

SPECIFICATION	Suitable for SDR9...17 pipe Removable center stopper ( up to 400 mm ) 4 mm pin connectors
---------------	---

### EF SPECIFICATION

WELDING VOLTAGE	40 V
RESISTANCE	1.15 $\Omega$
WELDING TIME	270 Sec.
COOLING TIME	15 Min.
WINDING TYPE	Monofilar
WELDING BARCODE	



951420321253401156270117

Tolerance on diameters and thickness according to the standards. The other dimensions are specialized. Tolerance  $\pm 5\%$ . NTG PLASTIK reserves all the right to change any information without giving prior notice. The production, distribution and utilization of this document without explicit authorization is prohibited.